

K I N G



DT2021/241-UK34

kingliving.com

Encore Bed

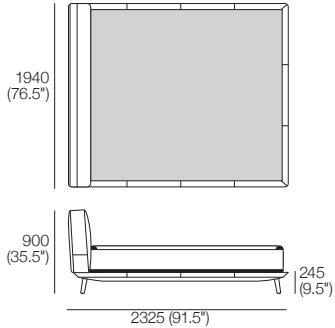
Encore Bed

SuperKing-UK

Bedbase: Fabric or Leather

Mattress Area:

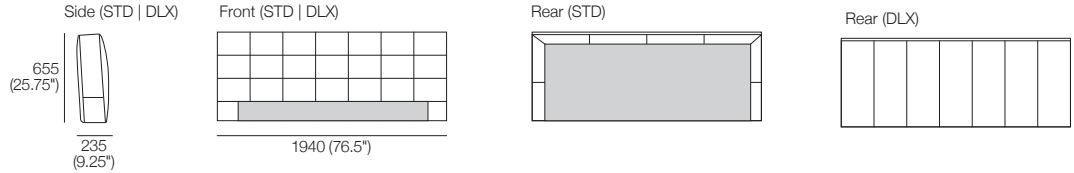
1835 (72.25") x 2030 (80")



SuperKing-UK

Bedhead: Fabric or Leather

Standard or Deluxe

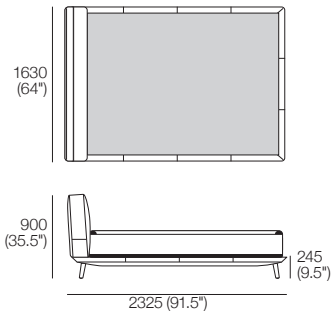


King-UK

Bedbase: Fabric or Leather

Mattress Area:

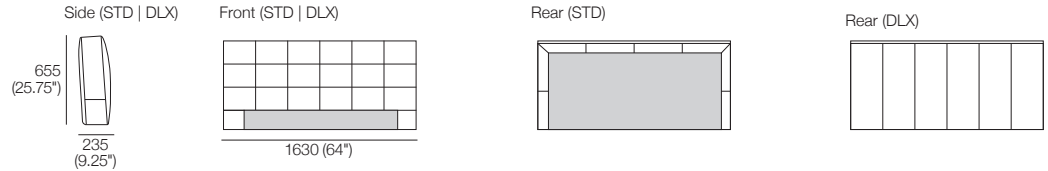
1525 (60") x 2030 (80")



King-UK

Bedhead: Fabric or Leather

Standard or Deluxe

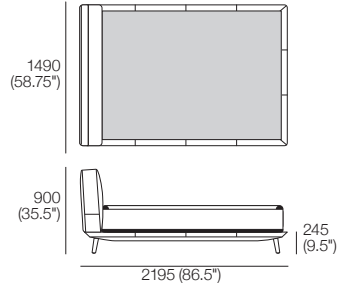


Effective July 2024. Mattress sold separately. SleepPlus Mattresses fit to size on all King Living Beds. Bed & Mattress sizes comparable in country or region as indicated: United Kingdom (UK). Mattress Area: dimensions provided for compatibility check. Leather detail indicated. Upholstery options may include tricote. King Living has a policy of continuous improvement, changes to products and specifications may be made without prior notice. Images and drawings are representative of design only. Accessories not included.

Encore Bed

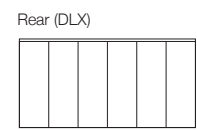
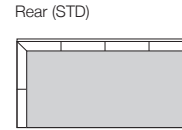
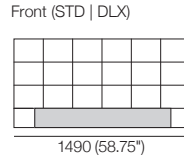
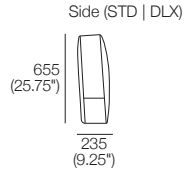
Double-UK

Bedbase: Fabric or Leather
Mattress Area:
1385 (54.5") x 1900 (74.75")



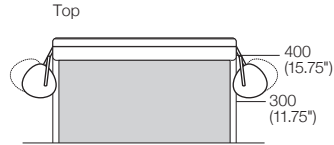
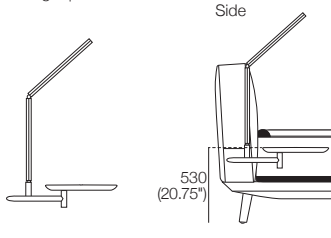
Double-UK

Bedhead: Fabric or Leather
Standard or Deluxe



Pocket Accessory

Cantilever Bracket Powered Twin Port
For Lume Light | Side Table



Effective July 2024. Mattress sold separately. SleepPlus Mattresses fit to size on all King Living Beds. Bed & Mattress sizes comparable in country or region as indicated: United Kingdom (UK). Mattress Area: dimensions provided for compatibility check. Leather detail indicated. Upholstery options may include tricote. King Living has a policy of continuous improvement, changes to products and specifications may be made without prior notice. Images and drawings are representative of design only. Accessories not included.

