

K I N G



DT20230305-V6

kingliving.com

Jasper Curved Corner

Jasper C1 1T | Jasper C1 2T (C: Curve Corner* | T: Shelves*)

Jasper can easily be reconfigured to suit your lifestyle and space.

Jasper C1 1T (STD Arms) / or

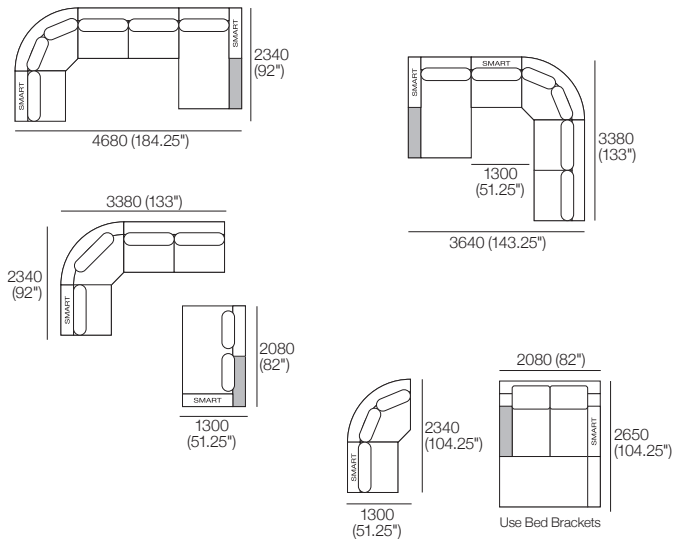
Jasper C1 1T SMART* (2x A104 SMART Arms replace 2x A104 STD Arms)

*SMART Arms for SMART Accessories: Brackets | Lights | Tables | Wireless Device Charging.

Components: 1x Platform P208, 1x Platform P208D, 1x Platform P104, 1x Platform P-CNR R130, 3x Seat Cushion C104, 1x Seat Cushion C182D, 1x Seat Cushion C-CNR R104, 3x Arm A104, 1x Arm A208, 1x Arm **CNR R130**, 4x Back Cushion B104, 2x Back Cushion B78.

*Shelves: STD (included); or Light-Charge (sold separately): 1x T104.

Configurations (SMART Arm shown):



Jasper C1 2T (STD Arms) / or

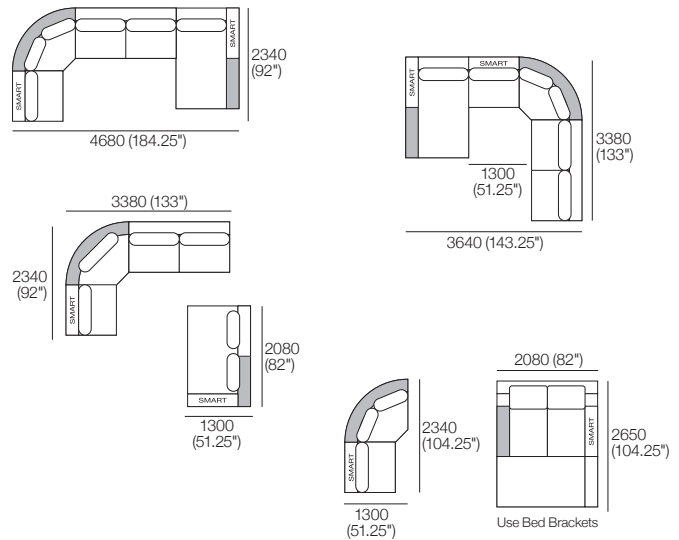
Jasper C1 2T SMART* (2x A104 SMART Arms replace 2x A104 STD Arms)

*SMART Arms for SMART Accessories: Brackets | Lights | Tables | Wireless Device Charging.

Components: 1x Platform P208, 1x Platform P208D, 1x Platform P104, 1x Platform P-CNR R130, 3x Seat Cushion C104, 1x Seat Cushion C182D, 1x Seat Cushion C-CNR R104, 3x Arm A104, 1x Arm A208, 4x Back Cushion B104, 2x Back Cushion B78.

*Shelves: STD (included); or Light-Charge (sold separately): 1x T104, 1x **T-CNR R130** (STD only)

Configurations (SMART Arms shown):



Jasper C2 1T | Jasper C2 2T (C: Curve Corner* | T: Shelves*)

Jasper can easily be reconfigured to suit your lifestyle and space.

Jasper C2 1T (STD Arms) / or

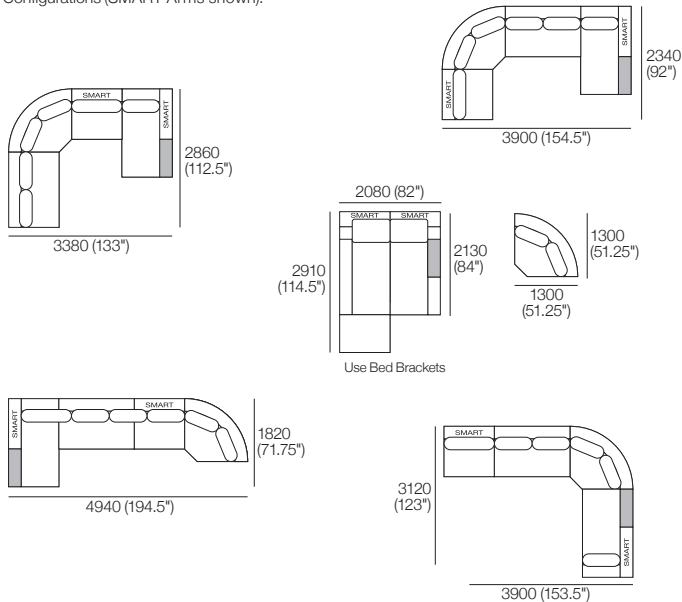
Jasper C2 1T SMART* (2x A104 SMART Arms replace 2x A104 STD Arms)

*SMART Arms for SMART Accessories: Brackets | Lights | Tables | Wireless Device Charging.

Components: 1x Platform P156, 1x Platform P182, 1x Platform P104, 1x Platform P-CNR R130, 2x Seat Cushion C156, 1x Seat Cushion C104, 1x Seat Cushion C-CNR R104, 2x Arm A104, 1x Arm A78, 1x Arm A156, 1x Arm CNR R130, 1x Back Cushion B104, 5x Back Cushion B78.

*Shelves: STD (included); or Light-Charge (sold separately): 1x T78.

Configurations (SMART Arms shown):



Jasper C2 2T (STD Arms) / or

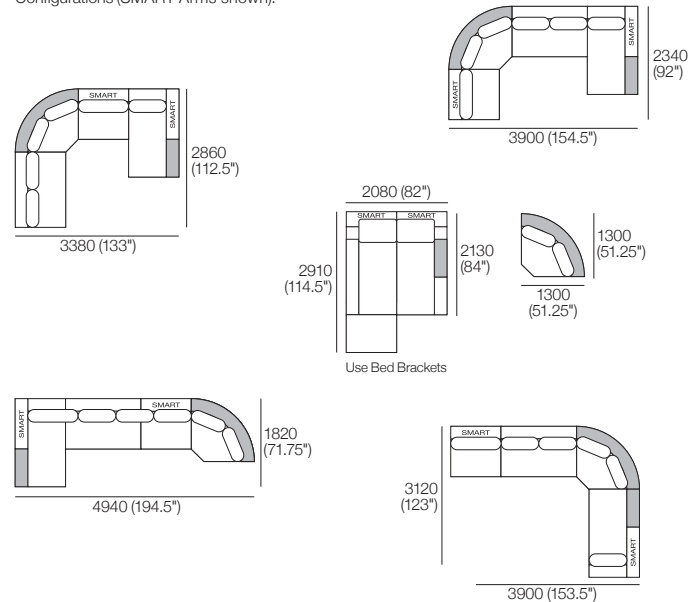
Jasper C2 2T SMART* (2x A104 SMART Arms replace 2x STD A104 Arms)

*SMART Arms for SMART Accessories: Brackets | Lights | Tables | Wireless Device Charging.

Components: 1x Platform P156, 1x Platform P182, 1x Platform P104, 1x Platform P-CNR R130, 2x Seat Cushion C156, 1x Seat Cushion C104, 1x Seat Cushion C-CNR R104, 2x Arm A104, 1x Arm A78, 1x Arm A156, 1x Back Cushion B104, 5x Back Cushion B78.

*Shelves: STD (included); or Light-Charge (sold separately): 1x T78, 1x T-CNR R130 (STD only).

Configurations (SMART Arms shown):



Jasper C3 | R130 | R130T (C: Curve Corner* | T: Shelves*)

Jasper can easily be reconfigured to suit your lifestyle and space.

Jasper C3 (STD Arms) / or

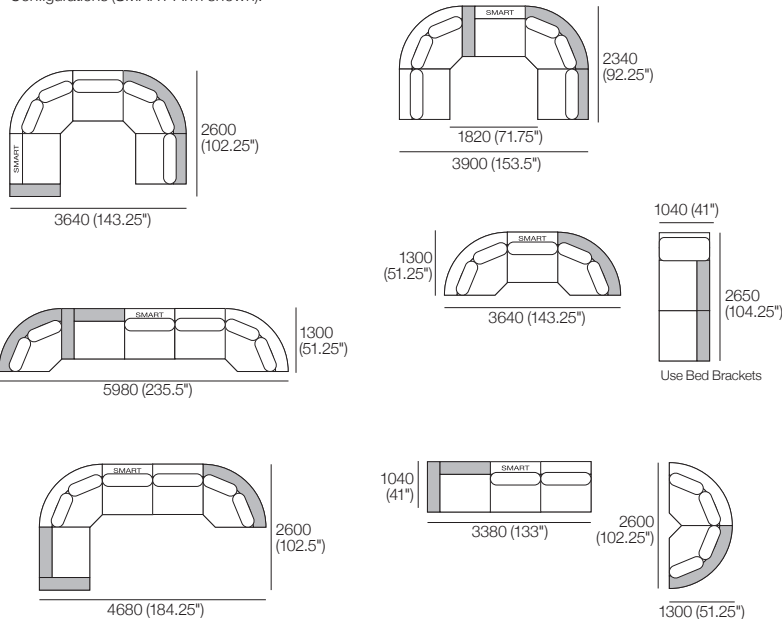
Jasper C3 SMART* (1x A104 SMART Arm replaces 1x A104 STD Arm)

*SMART Arms for SMART Accessories: Brackets | Lights | Tables | Wireless Device Charging.

Components: 1x Platform P130, 2x Platform P104, 2x Platform P-CNR R130, 3x Seat Cushion C104, 2x Seat Cushion C-CNR R104, 2x Arm A104, 1x Arm CNR R130, 2x Back Cushion B104, 4x Back Cushion B78.

*Shelves: STD (included); or Light-Charge (sold separately): 2x T104, 1x **T-CNR R130** (STD only).

Configurations (SMART Arm shown):

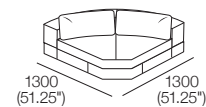


Jasper Curve Corner R130 (STD Arm)

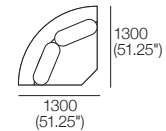
Components: 1x Platform P-CNR R130, 1x Seat Cushion C-CNR R104, 1x Arm **CNR R130**, 2x Back Cushion B78.

Configuration:

Front View



Top View



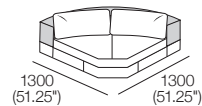
Jasper Curve Corner R130T (STD Shelf)

Components: 1x Platform P-CNR R130, 1x Seat Cushion C-CNR R104, 2x Back Cushion B78.

*Shelves: STD (included); 1x **T-CNR R130** (STD only).

Configuration:

Front View



Top View

