

Lume SMART Light Assembly

Two People Are Required For Safe Assembly.

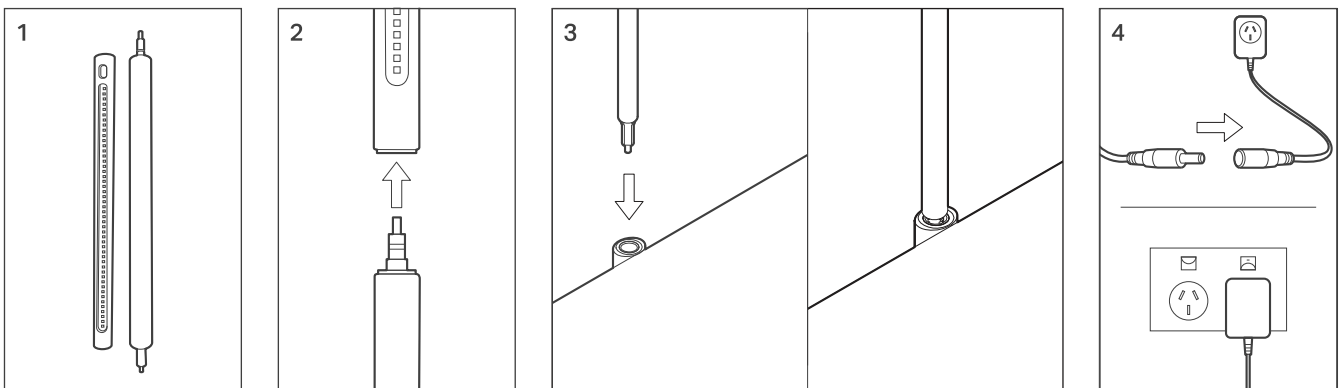
Opening Boxes:

DO NOT use a knife to open the King Living boxes as you may damage your furniture. Peel off the tape, then lift & separate the cardboard flaps to open.

Assemble your furniture by following the instructions below.

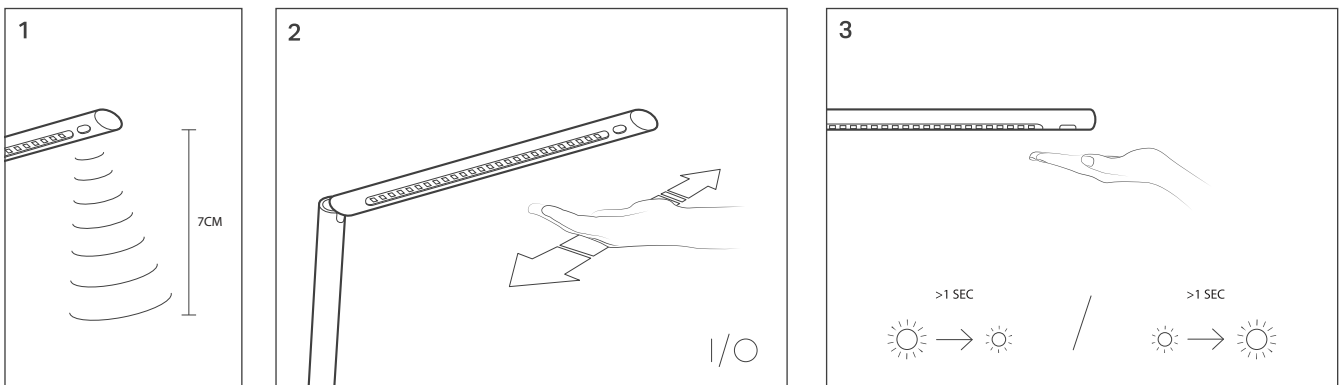
1

Assembly



2

Operation



PRODUCT INFORMATION
 Input Voltage DC 12V
 Light Source 48x SMD LEDs
 Power Output 6W
 Colour Temperature 2800-3300K
 Switching Gesture Control